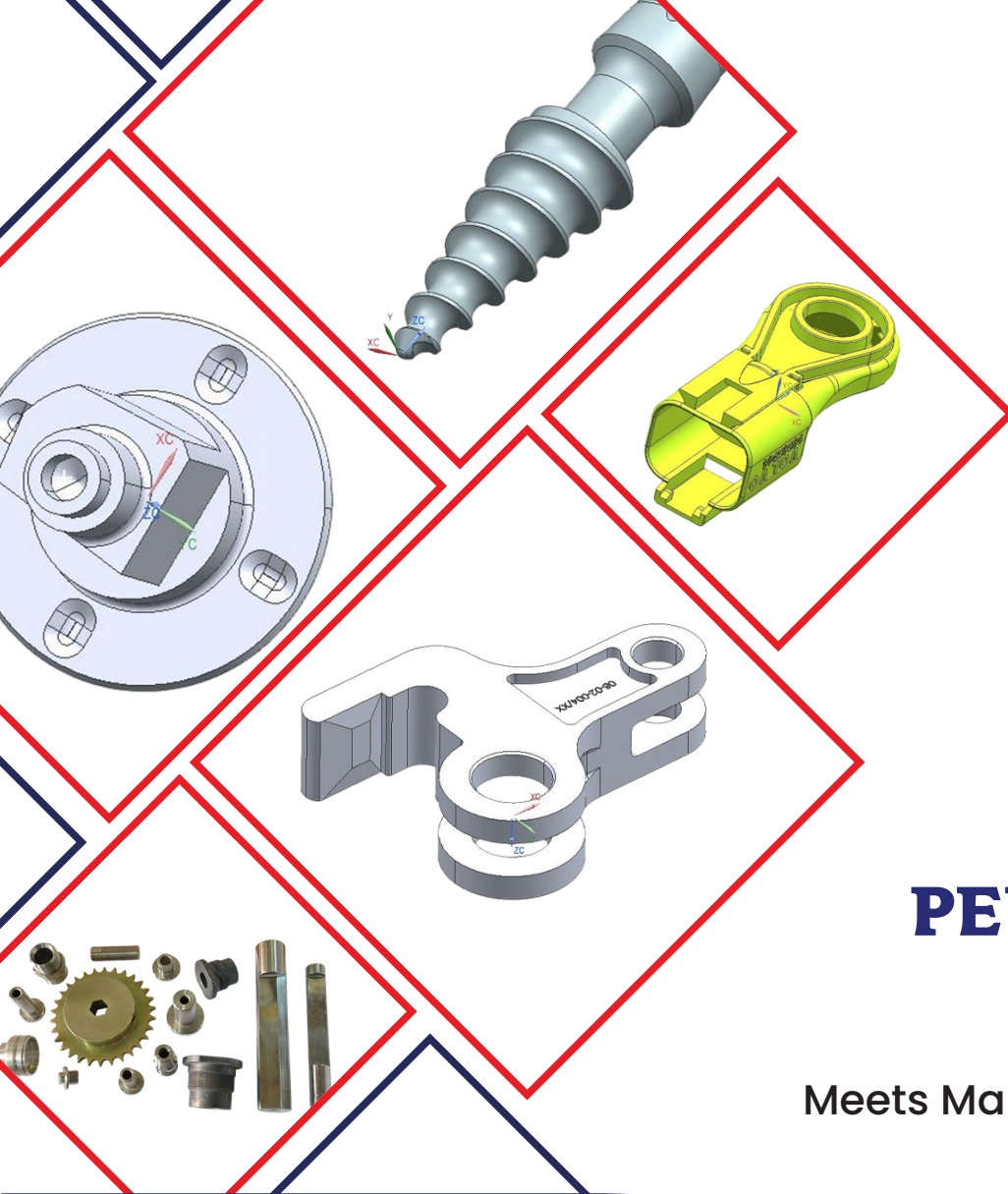




**PERFECT TECHNOLOGIES
AND INNOVATIONS PVT. LTD.**

Ideas For Today and Tomorrow



**PRECISION
MACHINING
ADVANCED
MOULDING
RELIABLE
PERFORMANCE**

Where Innovation
Meets Manufacturing Excellence

**COMMITTED TO
PROVIDE PRODUCTS
AND SERVICES WHICH
EXCEED CUSTOMER
EXPECTATIONS**



Trusted global partner in precision engineering & plastic molding.

VISION



High-quality, reliable, cost-effective machined & molded components.

MISSION



Quality, reliability, integrity, innovation, teamwork, & continuous improvement.

CORE VALUES



Value-driven precision manufacturing and molding.

CORE PURPOSE

ABOUT US

PERFECT TECHNOLOGIES AND INNOVATIONS PVT. LTD., established in 2011 and founded by Mr. Mahantesh Jakati, is a TÜV EN ISO 9001:2015 certified manufacturing company. With two fully automated manufacturing units—Unit I spanning 13,000 sq. ft. and Unit II covering 8,000 sq. ft. along with an in-house tool room, we specialize in precision machined components, plastic moulds & molded parts for automotive and industrial applications. Our focus on quality, accuracy, and customer satisfaction enables us to deliver reliable and cost-effective manufacturing solutions.

- Established & Certified
- Core Expertise

Mahantesh M Jakati

Founder & Director – Perfect Technologies and Innovations Pvt. Ltd.
Integrating cutting-edge technology to deliver next-generation plastic injection molding and precision engineering solutions for global industries.



Leadership & Industry Perspective

With rapid advancements in CNC machining and automation, staying technologically updated is critical. Under Mahantesh’s leadership, Perfect Technologies has adopted advanced CNC machinery, automation, and smart manufacturing practices to enhance productivity and accuracy.

Future Outlook

The growing demand for high-precision plastic components, EV parts, and automation-driven manufacturing presents strong opportunities. Perfect Technologies is strategically positioned to meet global standards through innovation and operational excellence.

OUR SERVICES



DESIGN



MANUFACTURING



TESTING



EXPORT



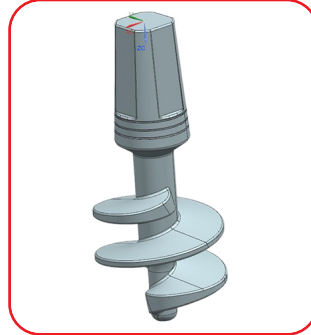
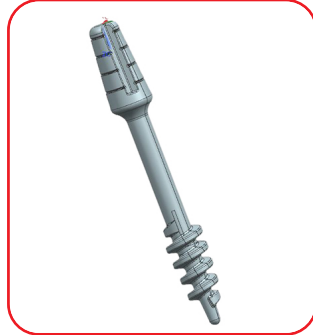
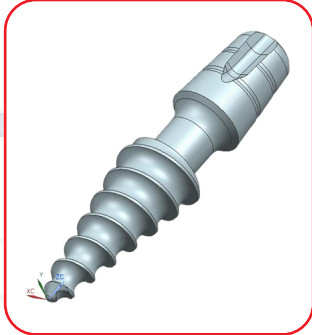
TECHNICAL
CONSULTANCY



24/7 SUPPORT

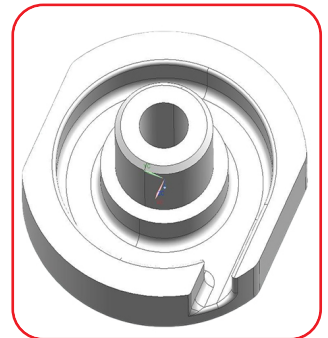
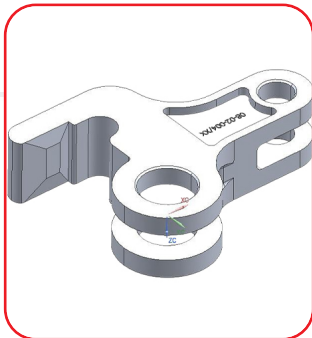
Medical Industries

We manufacture high-precision components for the medical industry, meeting strict quality, safety, and performance standards. Using advanced machining and molding technologies, we ensure accuracy, consistency, and reliability. With ISO 9001:2015 certification and strong quality control, we deliver cost-effective, compliant components for medical devices and healthcare applications, maintaining high hygiene and material standards with timely delivery.



Aerospace Industries

We manufacture high-precision aerospace components that meet strict safety, reliability & performance standards. Using advanced CNC machining, casting, and molding, we ensure tight tolerances and consistent quality. With ISO 9001:2015 certification and strong quality control, we deliver durable, compliant components for aircraft and aerospace systems with full traceability and on-time delivery.



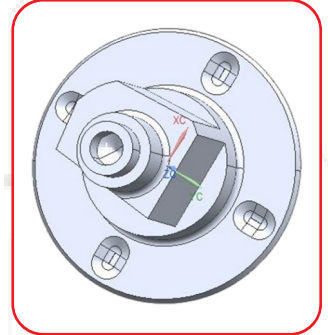
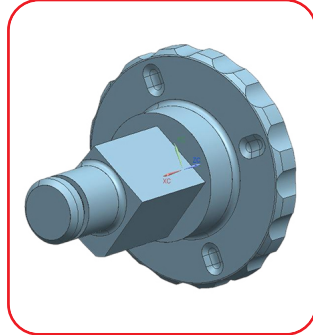
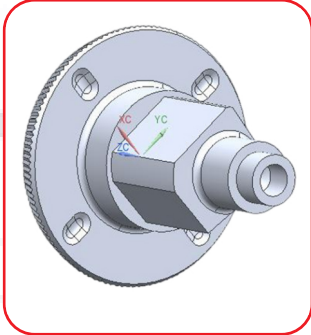
Valve Industries

We manufacture high-quality valve components for fluid control systems, ensuring reliable sealing, corrosion resistance, and durability under extreme conditions. Using precision machining and casting, we deliver consistent, standards-compliant parts for industries like oil & gas, power, and water treatment, with strong quality control and on-time delivery.



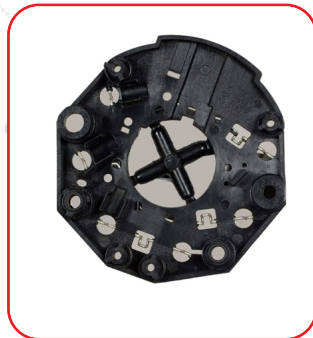
Automotive Machining components

We manufacture high-quality automotive machining components using advanced CNC machining, molding & metal forming. Our products ensure reliability, durability, and precision for various vehicle applications. With ISO 9001:2015 certification and strict quality control, we deliver cost-effective, accurate and dependable components with on-time delivery.



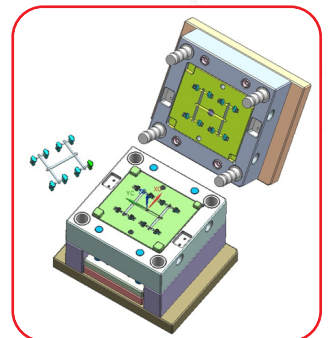
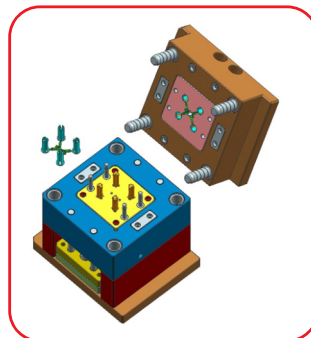
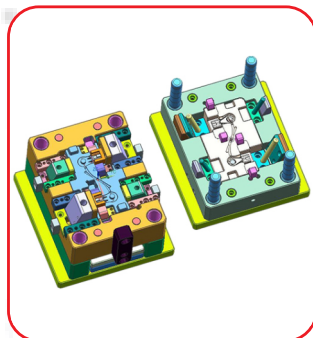
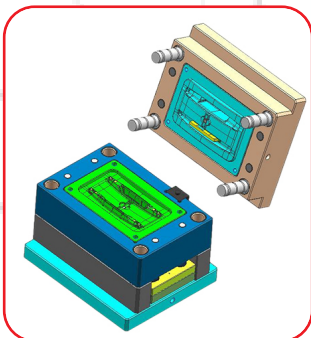
Plastic Injection Industries

We manufacture high-quality plastic injection components using advanced molding technology & precision tooling. Our products ensure accuracy, durability, and cost efficiency across automotive and industrial applications. With ISO 9001:2015 certification and strict quality control, we deliver consistent, reliable components with excellent finish and on-time delivery.

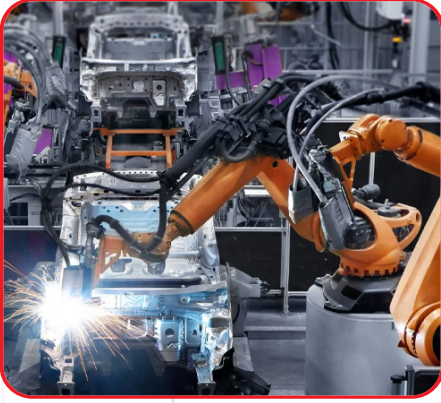


Mold & Molding Manufacturer

We are a trusted mold and molding manufacturer, specializing in high-precision injection molds & plastic components. With advanced CNC, EDM, and molding capabilities, we deliver accurate, durable solutions for various industries. Our focus on quality, efficiency, and on-time delivery ensures reliable performance in every project.

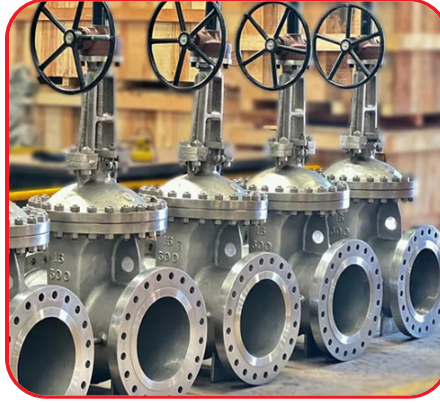


Industries We Serve



Automotive Industry

High-precision machined & molded components for reliable automotive performance.



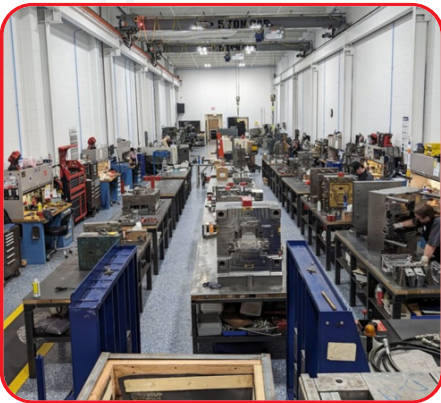
Export & Valve Industries

Precision valve components meeting global quality standards.



Agriculture & Food Industries

Durable, hygienic components for safe and reliable agricultural and food equipment.



Tool Room & Manufacturing

Complete precision tooling solutions for molds, dies, jigs, and fixtures.



Aerospace Industries

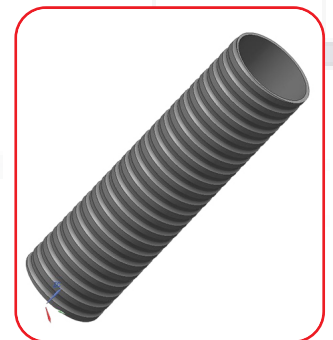
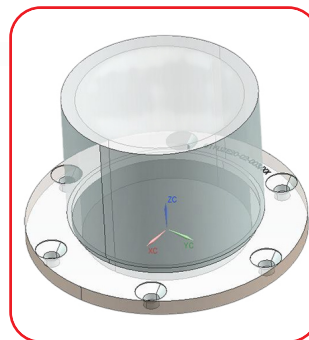
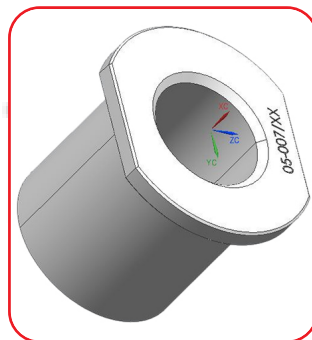
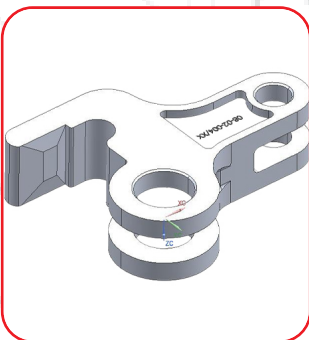
High-accuracy, lightweight aerospace components meeting strict quality standards.

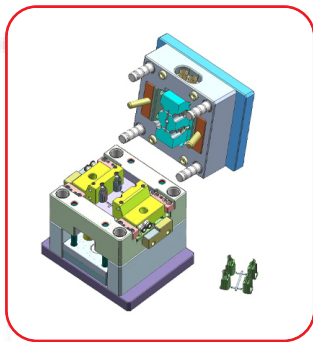
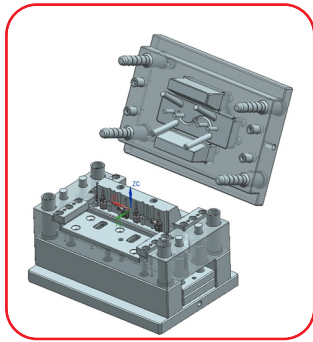
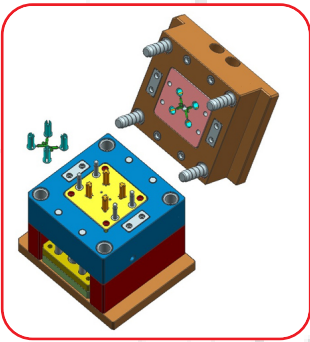
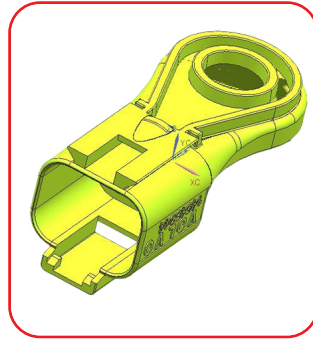
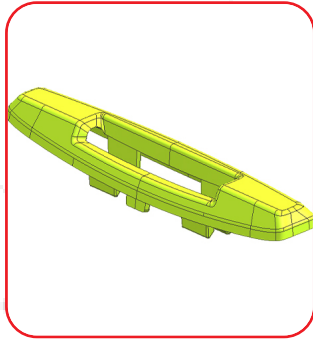
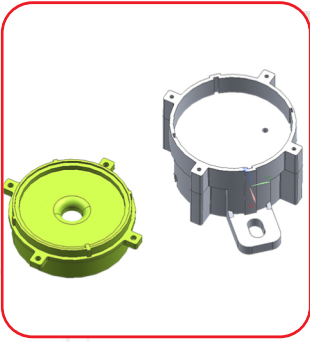
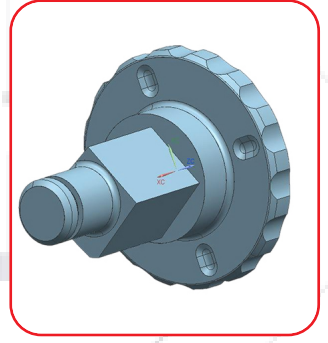
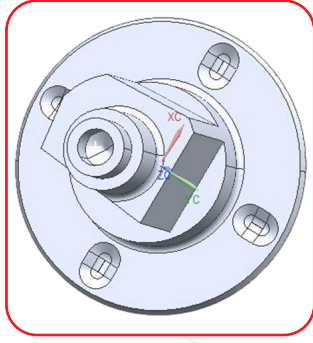
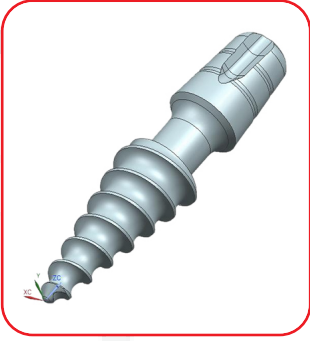
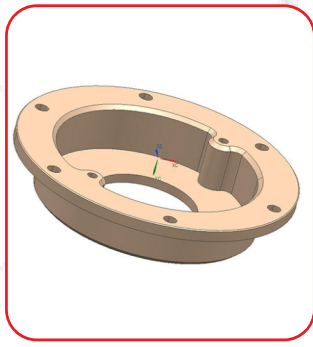


Medical Industries

Precision medical components for devices, diagnostics, and healthcare applications.

Gallery





Solenoid Valve

High Strength | Reliable Performance | Long Service Life

TECHNICAL SPECIFICATIONS



Valve Type:

2/2 Way - Normally Closed (NC)
(Opens When Energized)



Body Material:

PA6 Nylon - 30% Glass Filled
High Mechanical Strength
Corrosion Resistant



Seal Material:

NBR Diaphragm



Port Size:

3/4" BSP Thread



Max Operating Pressure:

Up to 4 Bar



SUITABLE FOR



RO Plants



Water Treatment Systems



Irrigation Systems



Oil & Fluid Control



Industrial Automation

WHY CHOOSE US?

- Durable Industrial-Grade Construction
- Quick Response & Low Power Consumption
- Easy Installation & Maintenance
- Bulk Supply Available
- Competitive Industrial Pricing



OUR CLIENTS



PERFECT TECHNOLOGIES AND INNOVATIONS PVT. LTD.

Ideas For Today and Tomorrow

☎ +91 9021419645 / +91 9552840033

✉ s.jakati@perfect-technologies.com

🌐 www.perfect-technologies.com

📍 Land+building/shed No, Shed No 10, Rajendra Singh & Sons Huf, Block Sector, Dehu Alandi Road, Chikhali, District: Pune, Chikhali Pune 411062,

📍 Gat No. 50, Opposite Bharat Vajan Kata, Shelar Vasti, Talwade, Pune-411062, MH, India



Scan to Visit Website